



5 HP GASOLINE ENGINE KIT

MIX69007
EDI-23575

5 HP GASOLINE ENGINE KIT (Part Number 69007)

<u>Part No.</u>	<u>Quantity</u>	<u>Description</u>
214896	1	Gas Engine Brace (Angle 1-1/4" x 1-1/4" x 1/8")
245536	1	Engine Housing Assembly
5286	1	V-Belt
214912	1	Engine, 5 hp
5287	1	Pulley, Engine 6-1/4" Dia.
70498	2	SETSCREW-SOCKETHEAD CUP POINT (5/16"-18 x 5/16")

HARDWARE IN PLASTIC BAG

5196	1	5/32" Set Screw Wrench
70143	2	HHCS 5/16"-18 x 3/4" long
70179	4	HHCS 5/16"-18 x 2-1/4" long
70226	2	HHCS 3/8"-16 x 3/4" long
70549	6	5/16"-18 HEX NUT
70553	2	3/8"-16 HEX NUT
70649	2	3/8" LOCKWASHER
70701	40	5/16" FLAT WASHER
70985	1	Key-Square 3/16" x 1-1/2" long

HHCS = hex head cap screw

TOOLS REQUIRED

3/4" Open End Wrench
3/8" Drill Bit
Electric Drill
Adjustable Wrench

INSTALLATION INSTRUCTIONS

1. REMOVE BELT GUARD COVER
Remove the five 1/4" x 1/2" long HHCS, that secure the belt guard cover to the belt guard. (See Fig. 1)
2. REMOVE V-BELT DRIVE PULLEY
Loosen the 3/4" hex nut with an open end wrench and remove pulley. (See Fig. 1)

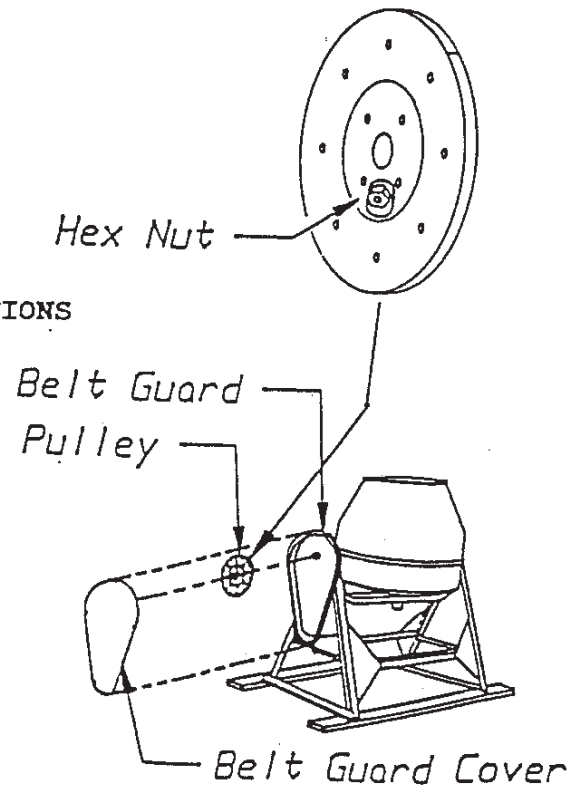


Fig. 1

3. REMOVE BELT GUARD

Remove the two hex head bolts that secure the guard to the frame. (See Fig. 1) Remove guard. Save one of these bolts to use in securing the engine housing to the frame.

4. BOLT ENGINE HOUSING TO THE FRAME

Using a bolt removed in Step 3, attach the Engine Housing to the frame. Snug bolt but do not tighten so adjustments can be made. (See Fig. 2)

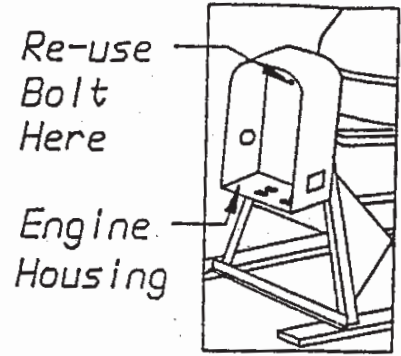


Fig. 2

5. SECURE ENGINE BRACE TO HOUSING

Place Engine Brace under Engine Housing and above the L-Bracket mounted on the frame. (See Fig. 3) (This L-Bracket was used to bolt the bottom part of the belt guard to the frame.) Use two 5/16" x 3/4" long HHCS to bolt the Engine Brace to the housing.

6. Line up the edges of the Engine Brace with the edges of the frame.

7. SECURE ENGINE BRACE TO FRAME

a) Weld Engine Brace to the frame;

OR

b) Drill two 3/8" holes in the "A" frame through the existing holes in the Engine Brace. Use two 3/8" x 3/4" long HHCS and hex nuts to bolt the Engine Brace to the frame.

8. Tighten bolt installed in Step 4. (All bolts should now be secure.)

9. REINSTALL V-BELT DRIVE PULLEY

Line up hole in pulley with the drive shaft and slide the pulley on until it seats firmly. Tighten hex nut (on pulley) securely.

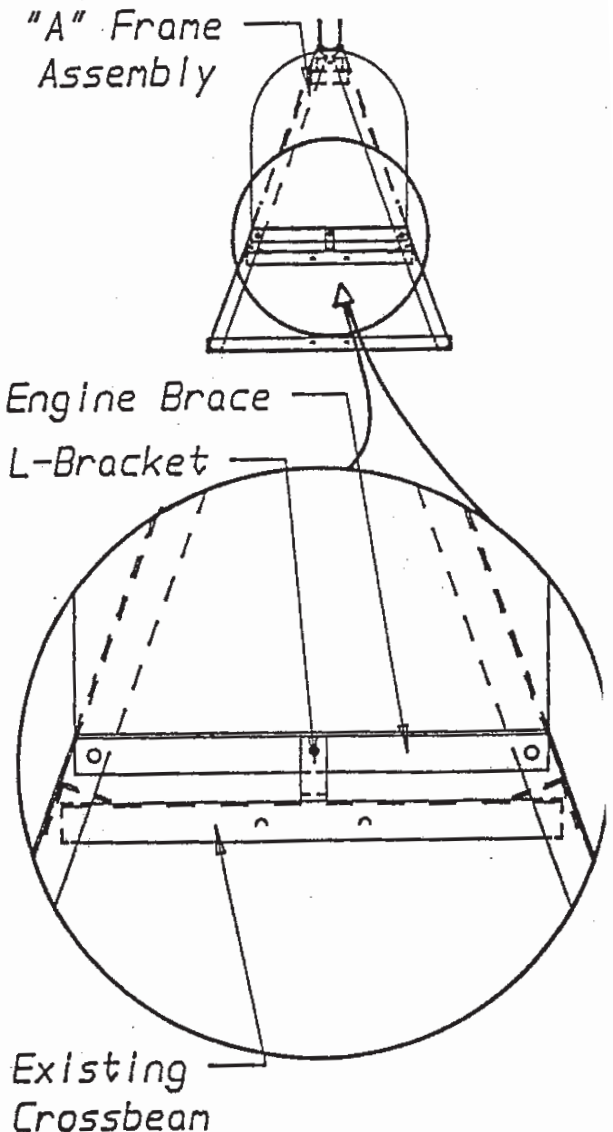
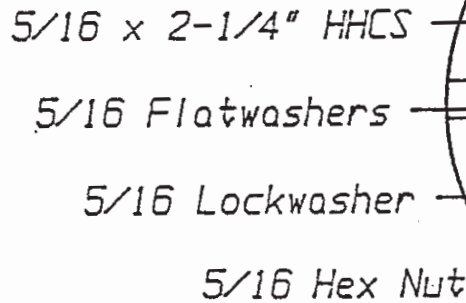
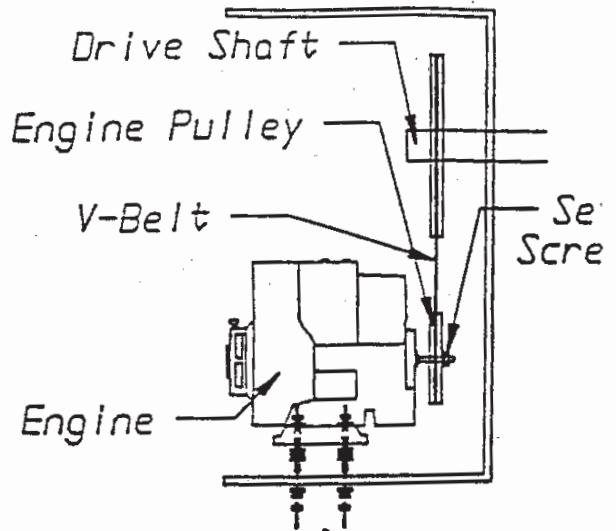


Fig. 3

10. INSTALL ENGINE PULLEY
 Place key in engine output shaft. Line up hole in the 6-1/4" Engine Pulley with engine output shaft and slide the pulley on. Set Screw and hub should be facing away from the engine. (Do not tighten set screw.)

11. INSTALL ENGINE
 Place Gas Engine in Engine Housing over the oval slots. Insert four 5/16" x 2 1/4" long HHCS to locate the Engine. (Do not install nuts yet.)

12. INSTALL V-BELT
 Line up lower pulley with the top pulley by sliding Engine Pulley on the Engine Shaft. Tighten setscrew on Engine Pulley. Install V-belt over pulleys. (See Fig. 4)



13. ADJUST ENGINE HEIGHT
 Use the necessary amount of 5/16" flat washers to adjust the motor height for proper belt tension. (See Fig. 4)

Belt tension should allow for 1/2" deflection of belt when pressure is applied halfway between the pulleys. (See Fig. 5)

14. Secure engine to housing by installing and tightening 5/16" nuts, washers, and lockwashers. (4 places)

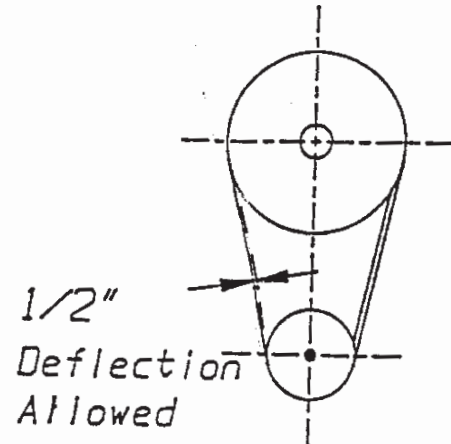


Fig. 5

VERIFY THAT ALL NUTS AND BOLTS HAVE BEEN
TIGHTENED.

ALL NUTS AND CAP SCREWS SHOULD BE CHECKED
AND RETIGHTENED DURING THE FIRST TWO
HOURS OF USE. PERIODIC CHECKS SHOULD BE
MADE THEREAFTER.

READ ALL OPERATING AND MAINTENANCE
INSTRUCTIONS BEFORE USING THIS EQUIPMENT.

CHECK ENGINE OIL BEFORE STARTUP.

HOW TO OBTAIN SERVICE

When ordering parts, be sure to include
the following information:

- A) Serial Number. Include all letters and numbers.
- B) Name of each part.
- C) Model name. Include all letters and numbers.
- D) Quantity of each part.
- E) Complete part number.

Service on your engine can be obtained through the engine
manufacturer's outlets. See the Yellow Pages of your local
phone book under "Engines - Gasoline" for address.

FILL IN THE FOLLOWING FOR YOUR FUTURE REFERENCE:

For ordering parts:
(Not including Engine)

Unit Name _____

Model Number _____

Complete Serial Number _____

Engine Model Number _____

Engine Type Number _____

Engine Code or Serial Number _____

